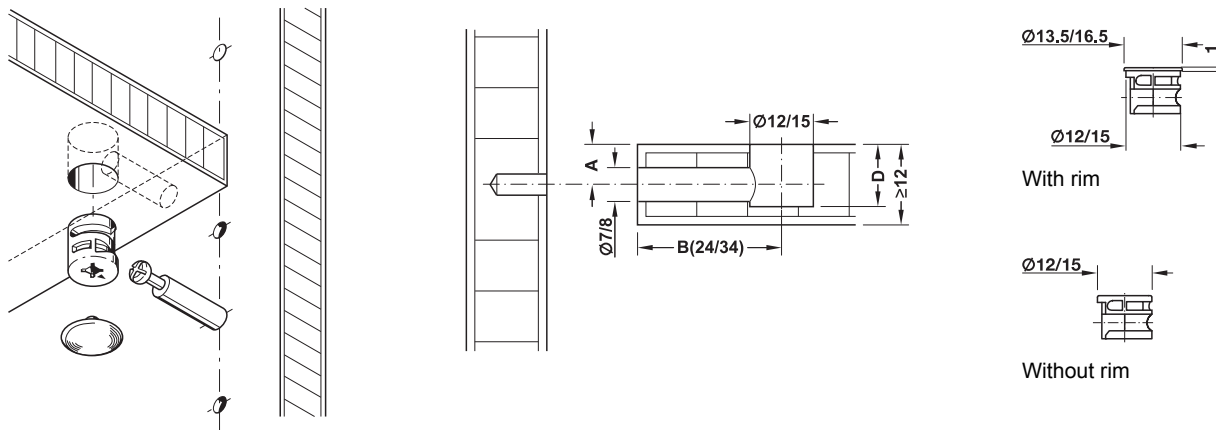


Häfele Minifix® Connector housing



- > Material: Zinc alloy
- > For housing Ø: 12 or 15 mm
- > Bolt hole: Ø 5, 7 or 8 mm, depending on choice of connecting bolt
- > Drilling dim. B: Distance from centre of Minifix® housing to front edge of panel (24 or 34 mm), depending on choice of connecting bolt
- > For all connecting bolts from the Minifix® system

→ Minifix® 12 with rim



For wood thickness mm	Drilling depth D mm	Dim. A mm	Drive	Bright	Nickel plated	Nickel coloured
From 12	9.5 ^{+0.2}	6	PZ2 cross slot or flat blade	262.18.020	262.18.620	262.18.720

Packing: 100 or 1000 pieces

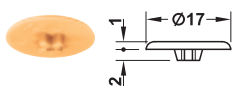
→ Minifix® 12 without rim



For wood thickness mm	Drilling depth D mm	Dim. A mm	Drive	Bright	Nickel plated	Nickel coloured
From 12	9.5 ^{+0.2}	6	PZ2 cross slot or flat blade	262.17.020	262.17.620	262.17.720

Packing: 100 or 1000 pieces

→ Cover caps, for Minifix® 12 without rim



Material	Brown	White
Plastic	262.24.109	262.24.709

Packing: 500 or 5000 pieces

→ Minifix® 15 with rim



For wood thickness mm	Drilling depth D mm	Dim. A mm	Drive	Bright	Nickel plated	Black
From 12	9.5 ^{+0.2}	6	PZ2 cross slot or flat blade	–	262.25.570	–
From 16	12.5 ^{+0.5}	8	PZ2 cross slot, flat blade or SW4 hexagon socket	262.25.033	262.25.533	262.25.353
From 19	14.5 ^{+0.5}	9.5		262.25.035	262.25.535	–
From 23	16.5 ^{+0.5}	11.5		–	262.25.536	–
From 29	19.5 ^{+0.5}	14.5		262.25.038	262.25.538	–
From 34	22.5 ^{+0.5}	17.0		262.25.081	262.25.581	–

Packing: 100 pieces

DGH-M-INT 2020, HDE-en, 05/19; Dimensional data not binding. We reserve the right to alter specifications without notice.

